



VALUE FOR QUALITY

# ASIAN HYDRAULIC

[www.asianhydraulic.com](http://www.asianhydraulic.com)



## INTRODUCTION

Asian Hydraulic - located at Andheri, is engaged in manufacturing of high pressure valves since the year 2005. With philosophy of continuous innovation and improvement in technology. We maintain a technological edge to achieve optimized valve design and compete customer satisfaction.

### Vision

We at Asian has vision to be a single point solution for our customers.

### Mission

We are gradually developing our product range with latest technology and improving quality control system.



<b>High Pressure Ball Valves - KHB2</b>	
High Pressure Ball Valves - KHB2 (Standard).....	4
High Pressure Ball Valves - KHB2 (Heavy & Light Series).....	5
<b>High Pressure Ball Valves - KH3</b>	
High Pressure Ball Valves - KH3 (Standard).....	6
High Pressure Ball Valves - KH3 (Heavy & Light Series).....	7
<b>High Pressure Ball Valves - KH4.....</b>	<b>8</b>
<b>High Pressure Ball Valves With Split Flange KHB2SF.....</b>	<b>9</b>
<b>Manifold Block Mounted High Pressure Ball Valves - KHP2.....</b>	<b>10</b>
<b>Manifold Block Mounted High Pressure Ball Valves - KHP3.....</b>	<b>11</b>
<b>Flow Control Valves with Check Valves - DRV.....</b>	<b>12</b>
<b>Manifold Mounted Flow Control Valves with Check Valve - DRVP.....</b>	<b>13</b>
<b>Flow Control Valves without check Valves - DV.....</b>	<b>14</b>
<b>Manifold Mounted Flow Control Valves w/o check Valve - DVP.....</b>	<b>15</b>
<b>Needle Valves - NV.....</b>	<b>16</b>
<b>Shut off Valve - Sub-plate mounting.....</b>	<b>17</b>
<b>Inline High Pressure Check Valves - CV.....</b>	<b>18</b>
<b>Quick Disconnect Coupling.....</b>	<b>19</b>
<b>Tube Fittings.....</b>	<b>20, 21, 22</b>

# High Pressure Ball Valves - KHB2

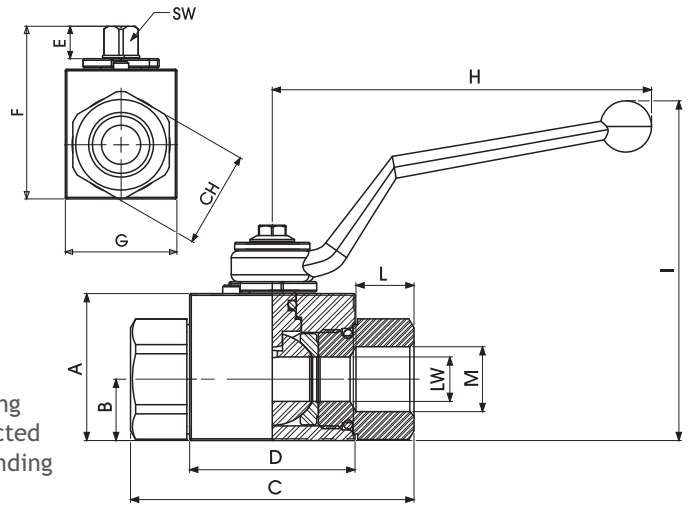
Remove Watermark Now

## 2-Way Carbon Steel



PN up to 500 bar  
DN up to 50

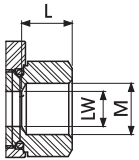
## Standard



### Specifications

- Type: ball valve KHB 2way
- Body: block
- Material : 1,0737
- Ball seats: from DN4 up to DN25
- O-Rings: NBR, FKM, EPDM, MVQ
- Operating pressure: 500 Bar depending on valve size and seal materials selected
- Temp. range: -10°C to +100°C depending on seal material selected

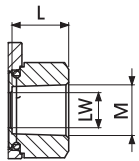
### KHB2 DIN ISO 228 BSP Standard



DIN ISO 228

TYPE	PN	DN	A	B	C	D	E	F	G	H	I	L	M	CH	SW	LW	WEIGHT Kg
KHB2 G 1/8"	500 Bar	4	35	14	71	42	11	49	30	110	91	11	G 1/8	24	9	4	0,512
KHB2 G 1/4"	500 Bar	6	35	14	71	42	11	49	30	110	91	15,5	G 1/4	24	9	6	0,497
KHB2 G 3/8"	500 Bar	10	40	17	73	44	11	54,25	35	110	96	15,5	G 3/8	30	9	10	0,652
KHB2 G 1/2"	500 Bar	13	43	18	83	48	11	57	37	110	99	17	G 1/2	32	9	13	0,77
KHB2 G 3/4"	400 Bar	20	55	23	95	62	14	73,5	45	180	106	21	G 3/4	41	14	20	1,46
KHB2 G 1"	350 Bar	25	65	29	112	66	14	83,5	55	180	116	24	G 1"	50	14	25	2,23
KHB2 G 1" 1/4 R	350 Bar	25	65	29	120	66	14	83,5	55	180	116	24	G 1"1/4	55	14	25	2,299
KHB2 G 1" 1/2 R	350 Bar	25	65	29	124	66	14	83,5	55	180	116	24	G 1"1/2	60	14	25	2,413
KHB2 G 1" 1/4	350 Bar	85	85	37	110	83	17	103	75	305	145	13	G 1"1/4	65	17	32	4,140
KHB2 G 1" 1/2	350 Bar	96	95	42	130	91	17	114	85	305	155	19	G 1"1/2	70	17	38	5,540
KHB2 G 2"	350 Bar	112	113	52	140	100	17	131	110	305	173	19	G 2"	85	17	50	8,580

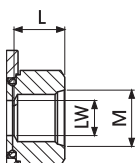
### KHB2 ANSI/ASME B1.20.1 NPT Standard



ANSI/ASME B1.20.1

TYPE	PN	DN	A	B	C	D	E	F	G	H	I	L	M	CH	SW	LW	WEIGHT Kg
KHB2 N 1/8"	500 Bar	4	35	14	71	42	11	49	30	110	91	11	N 1/8	24	9	4	0,512
KHB2 N 1/4"	500 Bar	6	35	14	71	42	11	49	30	110	91	17	N 1/4	24	9	6	0,5
KHB2 N 3/8"	500 Bar	10	40	17	73	44	11	54,25	35	110	96	17	N 3/8	30	9	10	0,655
KHB2 N 1/2"	500 Bar	13	43	18	83	48	11	57	37	110	99	21	N 1/2	32	9	13	0,771
KHB2 N 3/4"	400 Bar	20	55	23	95	62	14	73,5	45	180	106	21	N 3/4	41	14	20	1,478
KHB2 N 1"	350 Bar	25	65	29	112	66	14	83,5	55	180	116	24	N 1"	50	14	25	2,279
KHB2 N 1" 1/4 R	350 Bar	25	65	29	120	66	14	83,5	55	180	116	24	N 1"1/4	55	14	25	2,351
KHB2 N 1" 1/2 R	350 Bar	25	65	29	124	66	14	83,5	55	180	116	24	N 1"1/2	60	14	25	2,482
KHB2 N 1" 1/4	350 Bar	85	85	37	110	83	17	103	75	305	145	13	G 1"1/4	65	17	32	4,140
KHB2 N 1" 1/2	350 Bar	96	95	42	130	91	17	114	85	305	155	19	G 1"1/2	70	17	38	5,540
KHB2 N 2"	350 Bar	112	113	52	140	100	17	131	110	305	173	19	G 2"	85	17	50	8,580

### KHB2 SAE J1926-1 Standard



SAE J1926-1

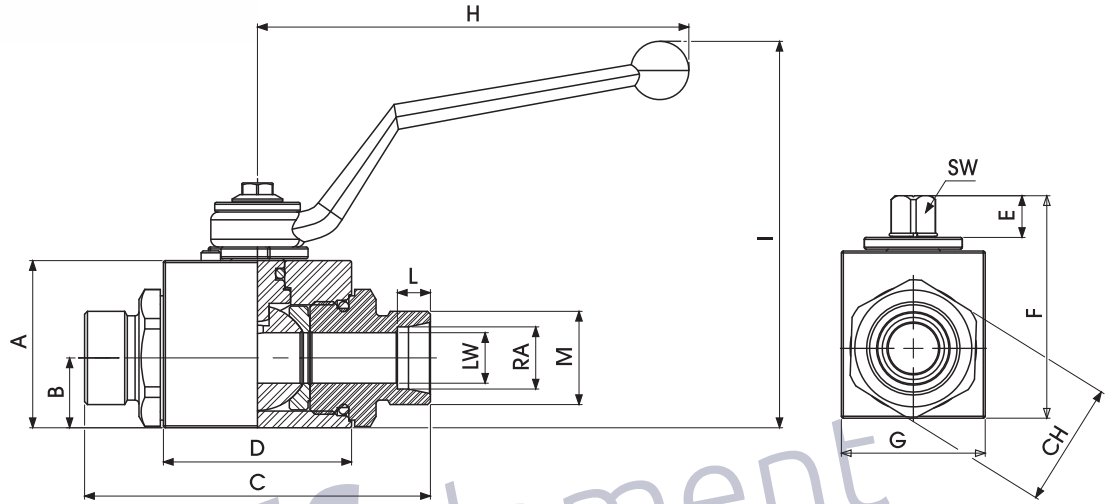
TYPE	PN	DN	A	B	C	D	E	F	G	H	I	L	M	CH	SW	LW	WEIGHT Kg
KHB2 SAE4	500 Bar	6	35	14	71	42	11	49	30	110	91	15,5	7/16 UNF	24	9	6	0,504
KHB2 SAE6	500 Bar	10	40	17	73	44	11	54,25	35	110	96	16	9/16 UNF	30	9	10	0,663
KHB2 SAE8	500 Bar	13	43	18	83	48	11	57	37	110	99	17,5	3/4 UNF	32	9	13	0,779
KHB2 SAE12	400 Bar	20	55	23	95	62	14	73,5	45	180	106	23	1"1/16 UN	41	14	20	1,441
KHB2 SAE16	350 Bar	25	65	29	112	66	14	83,5	55	180	116	23	1"5/16 UN	50	14	25	2,335
KHB2 SAE20R	350 Bar	25	65	29	120	66	14	83,5	55	180	116	23	1"5/8 UN	55	14	25	2,307
KHB2 SAE24R	350 Bar	25	65	29	124	66	14	83,5	55	180	116	23	1"7/8 UN	60	14	25	2,399
KHB2 SAE 1" 1/4	350 Bar	85	85	37	110	83	17	103	75	305	145	13	G 1"1/4	65	17	32	4,140
KHB2 SAE 1" 1/2	350 Bar	96	95	42	130	91	17	114	85	305	155	19	G 1"1/2	70	17	38	5,540
KHB2 SAE 2"	350 Bar	112	113	52	140	100	17	131	110	305	173	19	G 2"	85	17	50	8,580

## 2-Way Carbon Steel

## Light & Heavy Series

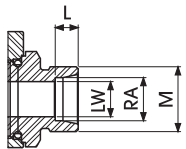


PN up to 500 bar  
DN up to 50



### KHB2 DIN 2353 LIGHT SERIES

Standard

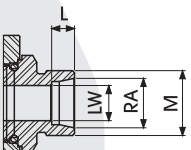


DIN 2353 HEAVY SERIES

Type	PN	DN	A	B	C	D	E	F	G	H	I	L	M	CH	LW	SW	RA	WEIGHT Kg
KHB2 6L	500 Bar	6	35	14	76	42	11	49	30	110	91	7	12X1.5	24	6	9	6	0,475
KHB2 8L	500 Bar	6	35	14	76	42	11	49	30	110	91	7	14X1.5	24	6	9	8	0,477
KHB2 10L	500 Bar	10	40	17	76	44	11	54	35	110	96	7	16X1.5	30	10	9	10	0,597
KHB2 12L	500 Bar	10	40	17	79	44	11	54	35	110	96	7	18X1.5	30	10	9	12	0,616
KHB2 15L	500 Bar	13	43	18	87	48	11	57	37	110	99	7	22X1.5	32	13	9	15	0,731
KHB2 18L	500 Bar	13	43	18	87	48	11	57	37	110	99	7,5	26X1.5	32	13	9	18	0,748
KHB2 22L	400 Bar	20	55	23	110	62	14	73	45	180	106	7,5	30X2	41	20	14	22	1,463
KHB2 28L	350 Bar	25	65	29	117	66	14	83	55	180	116	7,5	36X2	50	25	14	28	2,131
KHB2 35L	350 Bar	25	65	29	119	66	14	83	55	180	116	10,5	45X2	50	25	14	35	2,163
KHB2 42L	350 Bar	25	65	29	119	66	14	83	55	180	116	11	52X2	55	25	14	42	2,256

### KHB2 DIN 2353 HEAVY SERIES

Standard

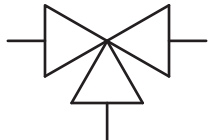


DIN 2353 LIGHT SERIES

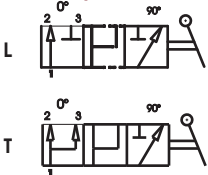
Type	PN	DN	A	B	C	D	E	F	G	H	I	L	M	CH	LW	SW	RA	WEIGHT Kg
KHB2 8S	500 Bar	4	35	14	76	42	11	49	30	110	91	7	16X1,5	24	4	9	8	0,501
KHB2 10S	500 Bar	6	35	14	76	42	11	49	30	110	91	7,5	18X1,5	24	6	9	10	0,501
KHB2 12S	500 Bar	10	40	17	76	44	11	54	35	110	96	7,5	20X1,5	30	10	9	12	0,599
KHB2 14S	500 Bar	10	40	17	82	44	11	54	35	110	96	8	22X1,5	30	10	9	14	0,629
KHB2 16S	500 Bar	13	43	18	89	48	11	57	37	110	99	8,5	24X1,5	32	13	9	16	0,67
KHB2 20S	500 Bar	13	43	18	93	48	11	57	37	110	99	10,5	30X2	32	13	9	20	0,786
KHB2 25S	400 Bar	20	55	23	111	62	14	73	45	180	106	12	36X2	41	20	14	25	1,485
KHB2 30S	350 Bar	25	65	29	121	66	14	83	55	180	116	13	42X2	50	25	14	30	2,145
KHB2 38S	350 Bar	25	65	29	131	66	14	83	55	180	116	16	52X2	55	25	14	38	2,373

## 3-Way Carbon Steel

Standard

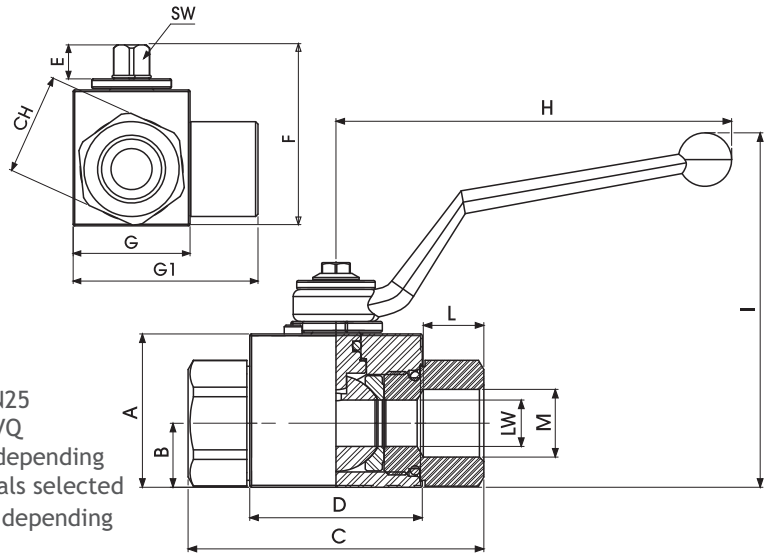


PN up to 500 bar  
DN up to 25



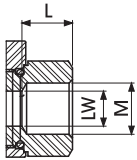
### Specifications

- Type: ball valve KH3 3way
- Body: block
- Material : 1,0737
- Ball seats: from DN4 up to DN25
- O-Rings: NBR, FKM, EPDM, MVQ
- Operating pressure: 400 Bar depending on valve size and seal materials selected
- Temp. range: 10°C to +100°C depending on seal material selected



### KH3 DIN ISO 228 BSP

Standard

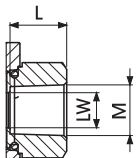


DIN ISO 228

TYPE	PN	DN	A	B	C	D	E	F	G	G1	H	I	L	M	CH	SW	LW	WEIGHT Kg
KH3 G 1/8	400 Bar	4	35	14	71	42	11	49	30	48	110	91	11	G 1/8	24	9	4	0,558
KH3 G 1/4	400 Bar	6	35	14	71	42	11	49	30	48	110	91	15,5	G 1/4	24	9	6	0,536
KH3 G 3/8	400 Bar	10	40	17	73	44	11	54	35	54	110	96	15,5	G 3/8	30	9	10	0,695
KH3 G 1/2	350 Bar	13	43	18	83	48	11	57	37	58	110	99	17	G 1/2	32	9	13	0,825
KH3 G 3/4	350 Bar	20	55	23	95	62	14	73	45	75	180	106	21	G 3/4	41	14	20	1,583
KH3 G 1"	350 Bar	25	65	29	112	66	14	83	55	87	180	116	24	G 1"	50	14	25	2,421
KH3 G 1" 1/4 R	350 Bar	25	65	29	120	66	14	83	55	87	180	116	24	G 1" 1/4	55	14	25	2,601
KH3 G 1" 1/2 R	350 Bar	25	65	29	124	66	14	83	55	87	180	116	24	G 1" 1/2	60	14	25	2,756

### KH3 ANSI/ASME B1.20.1 NPT

Standard

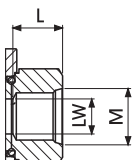


ANSI/ASME B1.20.1

TYPE	PN	DN	A	B	C	D	E	F	G	G1	H	I	L	M	CH	SW	LW	WEIGHT Kg
KH3 N 1/8	400 Bar	4	35	14	71	42	11	49	30	48	110	91	11	N 1/8	24	9	4	0,558
KH3 N 1/4	400 Bar	6	35	14	71	42	11	49	30	48	110	91	17	N 1/4	24	9	6	0,536
KH3 N 3/8	400 Bar	10	40	17	73	44	11	54	35	54	110	96	17	N 3/8	30	9	10	0,695
KH3 N 1/2	350 Bar	13	43	18	83	48	11	57	37	58	110	99	21	N 1/2	32	9	13	0,825
KH3 N 3/4	350 Bar	20	55	23	95	62	14	73	45	75	180	106	21	N 3/4	41	14	20	1,583
KH3 N 1"	350 Bar	25	65	29	112	66	14	83	55	87	180	116	24	N 1"	50	14	25	2,421
KH3 N 1" 1/4 R	350 Bar	25	65	29	120	66	14	83	55	87	180	116	24	N 1" 1/4	55	14	25	2,601
KH3 G 1" 1/2 R	350 Bar	25	65	29	124	66	14	83	55	87	180	116	24	N 1" 1/2	60	14	25	2,756

### KH3 SAE J1926-1

Standard

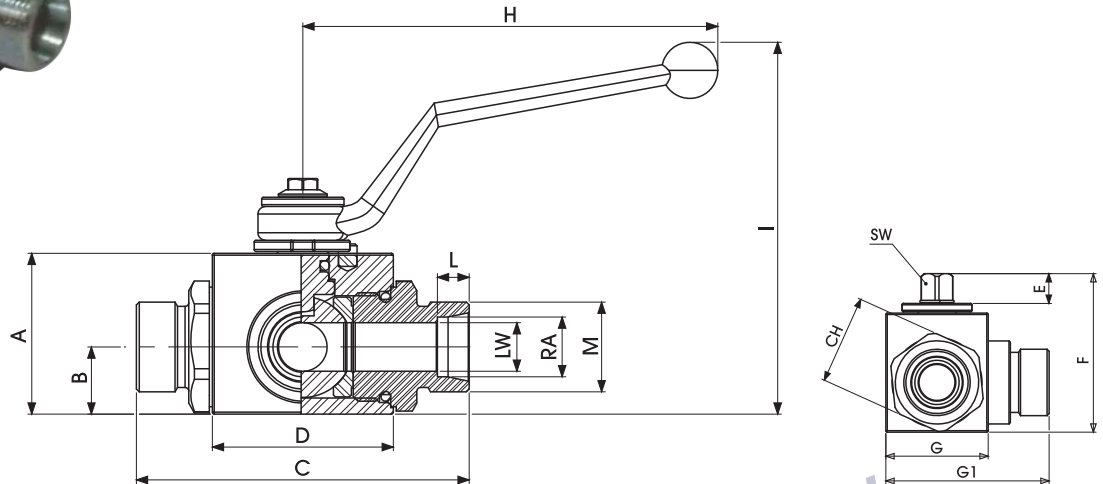
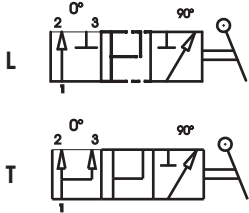
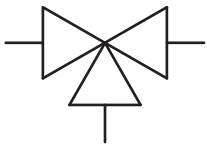


SAE J1926-1

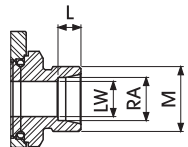
TYPE	PN	DN	A	B	C	D	E	F	G	G1	H	I	L	M	CH	SW	LW	WEIGHT Kg
KH3 SAE4	400 Bar	6	35	14	71	42	11	49	30	48	110	91	15,5	7/16 UNF	24	9	6	0,536
KH3 SAE6	400 Bar	10	40	17	73	44	11	54	35	54	110	96	16	9/16 UNF	30	9	10	0,695
KH3 SAE8	350 Bar	13	43	18	83	48	11	57	37	58	110	99	17,5	3/4 UNF	32	9	13	0,825
KH3 SAE12	350 Bar	20	55	23	95	62	14	73	45	75	180	106	23	1" 1/16 UN	41	14	20	1,583
KH3 SAE16	350 Bar	25	65	29	112	66	14	83	55	87	180	116	23	1" 5/16 UN	50	14	25	2,421
KH3 SAE20R	350 Bar	25	65	29	120	66	14	83	55	87	180	116	23	1" 5/8 UN	55	14	25	2,601
KH3 SAE20R	350 Bar	25	65	29	124	66	14	83	55	87	180	116	23	1" 7/8 UN	60	14	25	2,756

## 3-Way Carbon Steel

## Light & Heavy Series



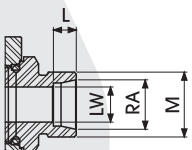
### KH3 DIN 2353 LIGHT SERIES standard



DIN 2353 HEAVY SERIES

Type	PN	DN	A	B	C	D	E	F	G	G1	H	I	L	M	CH	LW	SW	RA	WEIGHT Kg
<b>Kh3 6L</b>	400 Bar	6	35	14	76	42	11	49	30	48	110	91	7	12X1.5	24	6	9	6	0,53
<b>Kh3 8L</b>	400 Bar	6	35	14	76	42	11	49	30	48	110	91	7	14X1.5	24	6	9	8	0,532
<b>Kh3 10L</b>	400 Bar	10	40	17	76	44	11	54	35	54	110	96	7	16X1.5	30	10	9	10	0,633
<b>Kh3 12L</b>	400 Bar	10	40	17	79	44	11	54	35	54	110	96	7	18X1.5	30	10	9	12	0,665
<b>Kh3 15L</b>	350 Bar	13	43	18	87	48	11	57	37	59	110	99	7	22X1.5	32	13	9	15	0,722
<b>Kh3 18L</b>	350 Bar	13	43	18	87	48	11	57	37	59	110	99	7,5	26X1.5	32	13	9	18	0,861
<b>Kh3 22L</b>	350 Bar	20	55	23	110	62	14	73	45	75	180	106	7,5	30X2	41	20	14	22	1,639
<b>Kh3 28L</b>	350 Bar	25	65	29	117	66	14	83	55	87	180	116	7,5	36X2	50	25	14	28	2,361
<b>Kh3 35L</b>	350 Bar	25	65	29	119	66	14	83	55	87	180	116	10,5	45X2	50	25	14	35	2,361
<b>Kh3 42L</b>	350 Bar	25	65	29	119	66	14	83	55	87	180	116	11	52X2	55	25	14	42	2,456

### KH3 DIN 2353 HEAVY SERIES Standard

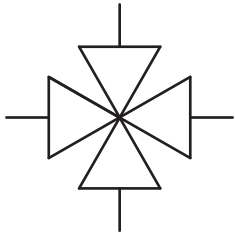


DIN 2353 LIGHT SERIES

Type	PN	DN	A	B	C	D	E	F	G	G1	H	I	L	M	CH	LW	SW	RA	WEIGHT Kg
<b>Kh3 8S</b>	400 Bar	4	35	14	76	42	11	49	30	48	110	91	7	16X1,5	24	4	9	8	0,53
<b>Kh3 10S</b>	400 Bar	6	35	14	76	42	11	49	30	48	110	91	7,5	18X1,5	24	6	9	10	0,532
<b>Kh3 12S</b>	400 Bar	10	40	17	76	44	11	54	35	54	110	96	7,5	20X1,5	30	10	9	12	0,633
<b>Kh3 14S</b>	400 Bar	10	40	17	82	44	11	54	35	54	110	96	8	22X1,5	30	10	9	14	0,665
<b>Kh3 16S</b>	350Bar	13	43	18	89	48	11	57	37	59	110	99	8,5	24X1,5	32	13	9	16	0,722
<b>Kh3 20S</b>	350Bar	13	43	18	93	48	11	57	37	59	110	99	10,5	30X2	32	13	9	20	0,861
<b>Kh3 25S</b>	350Bar	20	55	23	111	62	14	73	45	75	180	106	12	36X2	41	20	14	25	1,639
<b>Kh3 30S</b>	350Bar	25	65	29	121	66	14	83	55	87	180	116	13	42X2	50	25	14	30	2,361
<b>Kh3 38S</b>	350Bar	25	65	29	131	66	14	83	55	87	180	116	16	52X2	55	25	14	38	2,655

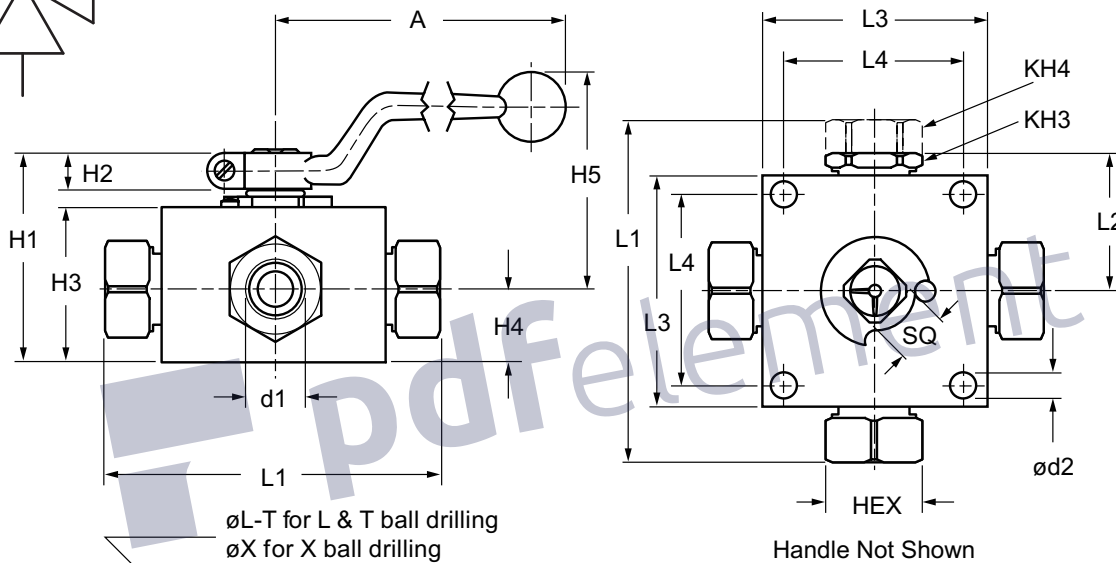
## 4-Way Carbon Steel

## Ball Valve



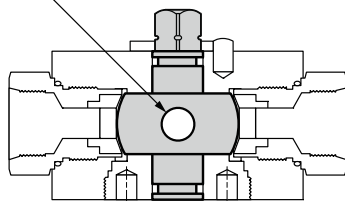
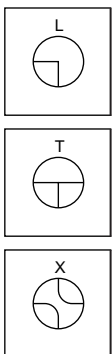
### Specifications

- Type: ball valve KH4 4way
- Body: Square
- Material: 1,0570/1,0737
- Ball seats: from DN6 up to DN25
- O-Rings: NBR
- Operating pressure: 500 Bar depending on valve size and seal materials selected
- Temp. range: -10°C to +100°C depending on seal material selected



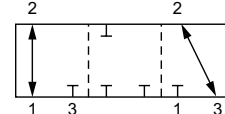
øL-T for L & T ball drilling  
øX for X ball drilling

### Ball Drilling



### Function Diagrams

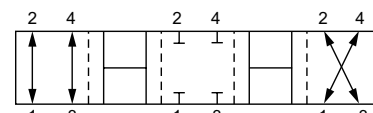
#### 3-Way Ball Valve L-Bore



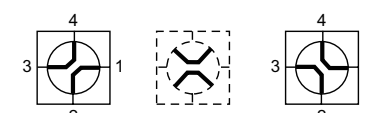
#### 90° Switch



#### 4-Way Ball Valve X-Bore



#### 90° Switch



Notes: These are positive overlap valves. At approximately 45° rotation, flow will be blocked to all ports. For "T" function diagram, contact HYDAC.

Model	d1	Max. Psi*	A	L1	L2	L3	L4	H1	H2	H3	H4	H5	ød2	SQ	HEX	øL-T	øX	Wt.
KH4	1/4" BSP	7250 500 Bar	163	100	42	70	55	58	13	40	22	63	6.5	12	24	5	4.5	1.6
KH4	3/8" BSP	7250 500 Bar	183	115	46	80	65	69	14	50	27	75	6.5	14	30	9	6	2.4
KH4	1/2" BSP	5800 400 Bar	183	135	56	100	80	79	14	60	31	88	9	14	36	12	10	4.3
KH4	3/4" BSP	4500 400 Bar	227	144	57	100	85	93.5	15	73	36	97	9	17	46	18	14	6.0

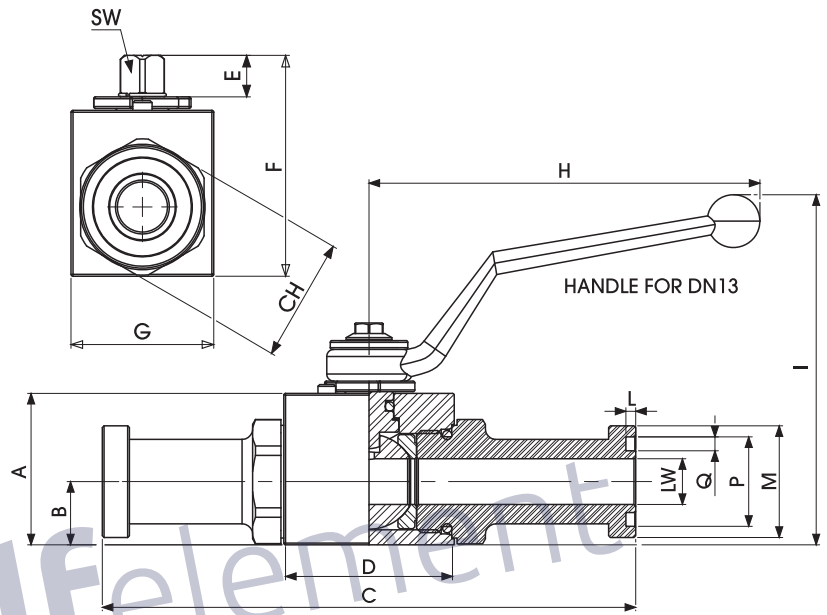


# High Pressure Ball Valves With Split Flange KHB2SF

Remove Watermark Now

2-Way  
Carbon Steel

Standard



## Specifications

- Type: ball valve KHB2SF 2way
- Body: block
- Material: 1,0737
- Ball seats: from DN13 up to DN25
- O-Rings: NBR, FKM, EPDM, MVQ
- Operating pressure: S3000 (PN210) S6000 (PN420) depending on valve size and seal materials selected
- Temp. range: -10°C to +100°C depending on seal material selected

## KHB2SF SAE J518 S3000 / S6000

Standard

TYPE	PN	DN	A	B	C	D	E	F	G	H	I	L	M	CH	P	Q	SW	LW	WEIGHT Kg
KHB2SF	400 Bar	13	43	18	151	48	11	57	37	110	99	2,79	30,2	32	25,4	3,94	9	13	0,96
KHB2SF	400 Bar	20	55	23	162	62	14	73	45	180	106	2,79	38,1	41	31,75	3,94	14	20	0,717
KHB2SF	400 Bar	25	65	29	178	66	14	83	55	180	116	2,79	44,4	50	39,2	3,94	14	25	2,597
KHBA6	500 Bar	13	43	18	151	48	11	57	37	110	9	2,79	31,6	32	25,4	3,94	9	13	0,956
KHBA6	500 Bar	20	55	23	174	62	14	73	45	180	106	2,79	41,3	41	31,75	3,94	14	20	1,792
KHBA6	500 Bar	25	65	29	198	66	14	83	55	180	116	2,79	47,8	50	39,2	3,94	14	25	2,759

## KHB2SF SAE J518 S3000 / S6000

Standard

TYPE	PN	DN	A	B	C	D	E	F	OG	H	I	L	M	N	CH	P	Q	SW	LW	WEIGHT Kg
KHBA3	350 Bar	32	93	46	190	75	13,5	111	98	300	120	2,79	50,8	88	60	44,45	3,94	17	32	5,429
KHBA3	350 Bar	40	107	53	230	85	13,5	125	113	300	134	2,79	60,26	102	75	53,67	3,94	17	40	8,265
KHBA3	350 Bar	50	114	57	232	98	13,5	132	123	300	141	2,79	71,4	118	85	63,25	3,94	17	50	9,865
KHBA6	400 Bar	32	93	46	223	75	13,5	111	98	300	120	2,79	54	88	60	44,45	3,94	17	32	5,828
KHBA6	400 Bar	40	107	53	281	85	13,5	125	113	300	134	2,79	63,46	102	75	53,67	3,94	17	40	8,251
KHBA6	400 Bar	50	114	57	316	98	13,5	132	123	300	141	2,79	79,4	118	85	63,25	3,94	17	50	11,774

## 2-Way Carbon Steel

Standard

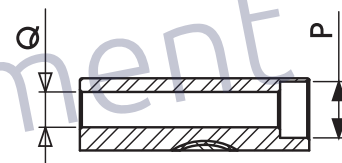
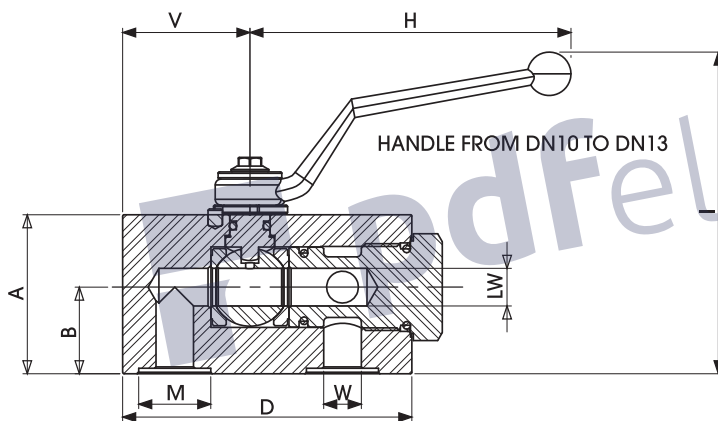


### Specifications

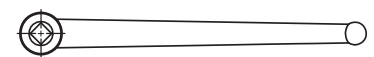
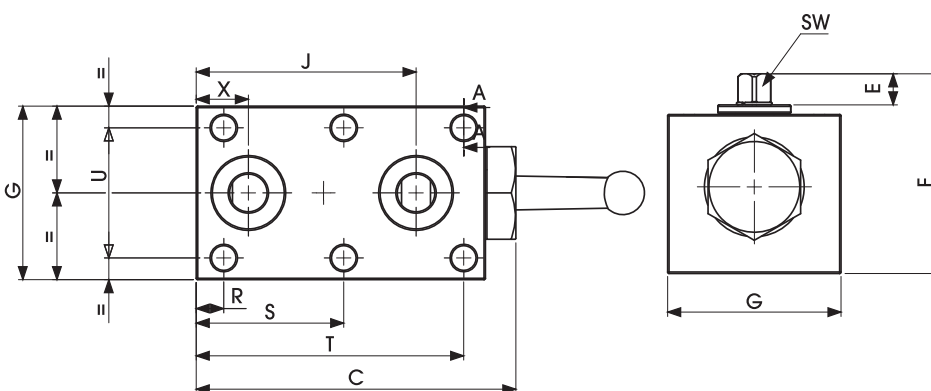
- Type: ball valve KHP2 2way
- Body: Square
- Ball seats: from DN6 up to DN50
- O-Rings: NBR, FKM, EPDM, MVQ
- Operating pressure: 500 Bar depending on valve size and seal materials selected
- Temp. range: -10°C to +100°C depending on seal material selected



PN up to 500 bar  
DN up to 50



SECTION A-A  
SCALE 1:1.5



HANDLE FROM DN32 TO DN50



HANDLE FROM DN20 TO DN25  
(without washer pos14 and screw pos15 in esplosed drawing)

### KHP2

Standard

TYPE	PN	DN	A	B	C	D	E	F	G	H	I	M	W	X	J	P	Q	R	S	T	U	V	SW	LW	WEIGHT Kg
KHP2	500 Bar	6	35	22	64	58	7	42	40	110	61	11,8	6	9,5	44,5	10,5	6,5	9	30	44	27	26	6	6	0,593
KHP2	500 Bar	10	45	22	79	70	11	59	55	110	101	14,9	9,8	10	54	13,5	8,5	7,5	41	62,5	40	28	9	10	1,304
KHP2	400 Bar	13	55	30	110	100	11	69	60	110	111	24,9	13	18	76	13,5	8,5	9,5	51	92,5	45	44	9	13	2,387
KHP2	350 Bar	20	70	38	129	118	14	88	70	180	121	29	20	21	90	16,5	10,5	11,5	60	108,5	51	52	14	20	4,079
KHP2	350 Bar	25	79	44	146	135	14	98	80	180	131	34,9	25	24	105	16,5	10,5	9	66,5	124	60	61	14	25	5,883
KHP2	350 Bar	32	105	58	183	165	14	124	100	300	124	39,7	32	28	124	19	13	11	79	147	78	74	17	32	12,169
KHP2	350 Bar	40	115	61	201	185	14	133	130	300	134	47,7	37	29	141	25	16,5	29	85	141	95	85	17	40	18,624
KHP2	350 Bar	50	129	72	256	240	14	147	150	300	147	59,8	48	38	174	31	21	38	106	174	112	106	17	48	30,644

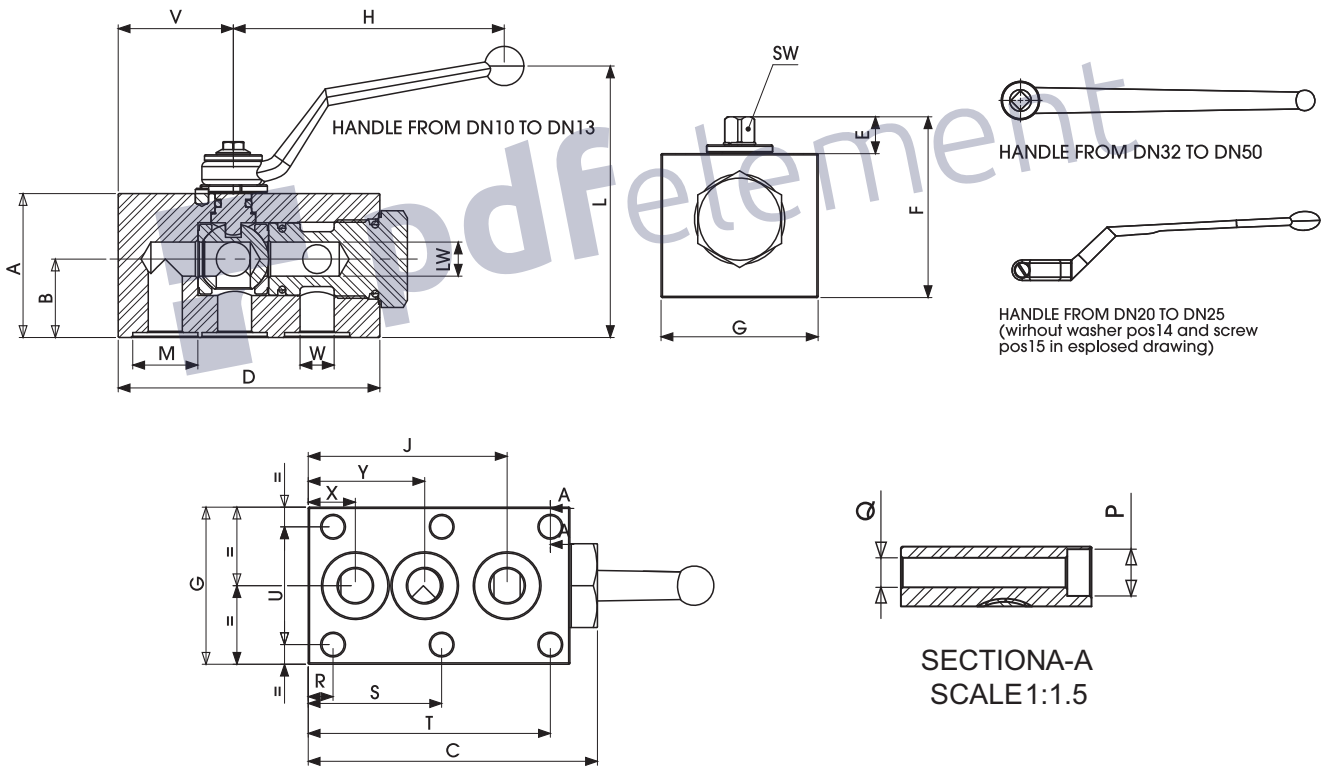
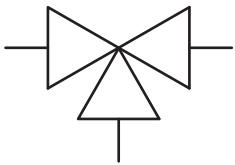
## 3-Way Carbon Steel

## Standard



### Specifications

- Type: ball valve KHP3 3way
- Body: Square
- Material: 1,0737
- Ball seats: from DN6 up to DN25
- O-Rings: NBR, FKM, EPDM, MVQ
- Operating pressure: 500 Bar depending on valve size and seal materials selected
- Temp. range: -10°C to +100°C depending on seal material selected



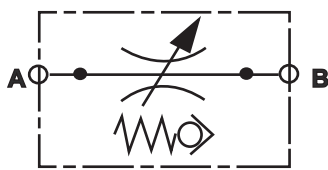
### KHP3

Standard

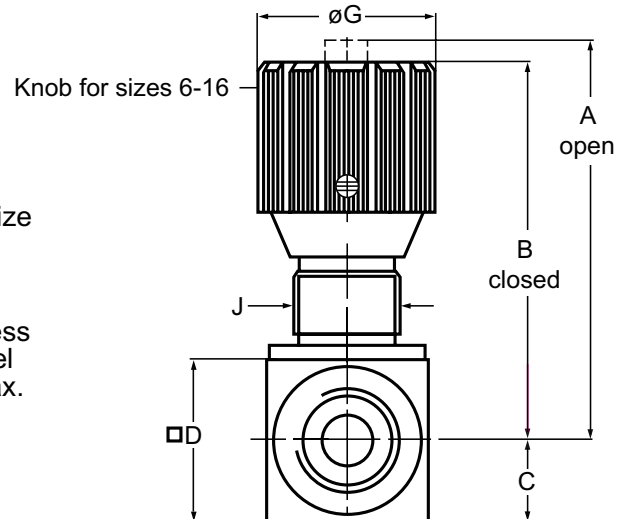
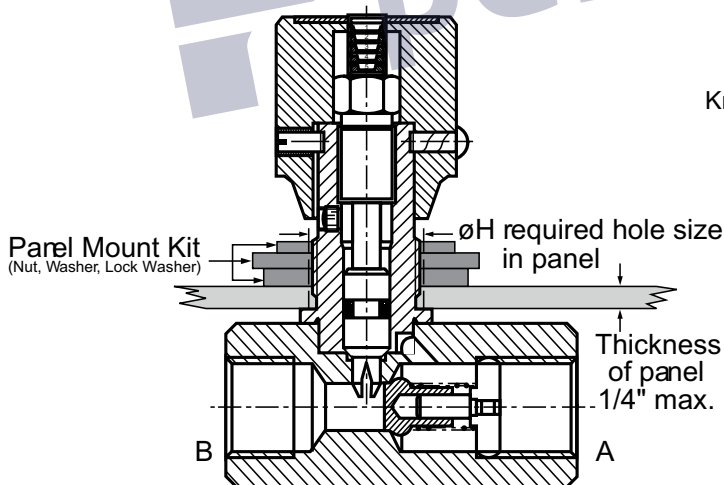
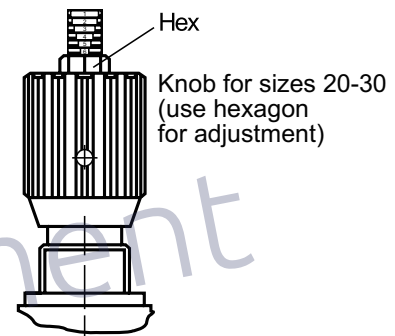
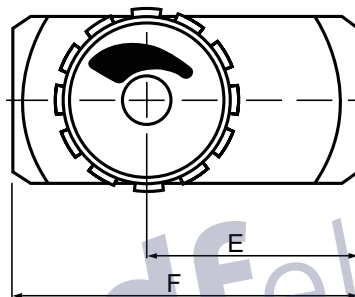
TYPE	PN	DN	A	B	C	D	E	F	G	H	L	M	W	X	J	Y	P	Q	R	S	T	U	V	SW	LW	WEIGHT Kg
KHP3	500 Bar	6	35	22	65	58	7,5	42	40	110	61	11,8	6	9,5	44,5	27	10,5	6,5	9	30	44	27	26,5	6	6	0,593
KHP3	500 Bar	10	45	22	80	70	11	59	55	110	101	14,9	9,8	10	54	29	13,5	8,5	7,5	41	62,5	40	28,75	9	10	1,304
KHP3	400 Bar	13	55	30	111	100	11	69	60	110	111	24,9	13	18	76	44,5	13,5	8,5	9,5	51	92,5	45	44	9	13	2,387
KHP3	350 Bar	20	70	38	129	118	14	88	70	180	121	29	20	21	90	52	16,5	10,5	11,5	60	108,5	51	52	14	20	4,079
KHP3	350 Bar	25	80	44	146	135	14	98	80	180	131	34,9	25	24	105	62	16,5	10,5	9	66,5	124	60	61,25	14	25	5,883
KHP3	350 Bar	32	106	58	184	165	14	124	100	300	124	39,7	32	28	124	74	19	13	11	79	147	78	74	17	32	12,169
KHP3	350 Bar	40	115	61	202	185	14	133	130	300	134	47,7	37	29	141	85	25	16,5	29	85	141	95	85	17	40	18,624
KHP3	350 Bar	50	129	72	257	240	14	147	150	300	147	59,8	48	38	174	106	31	21	38	106	174	112	106	17	48	30,644

## Carbon Steel

## DRV Series



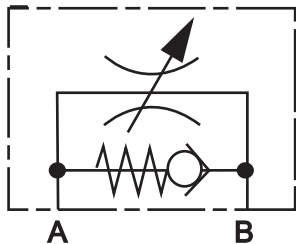
up to 350 bar  
up to 300 l/min



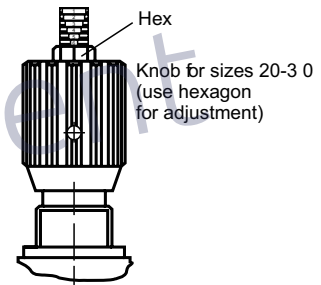
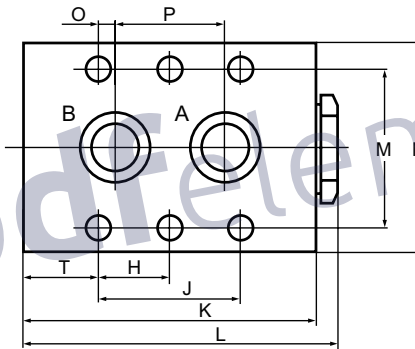
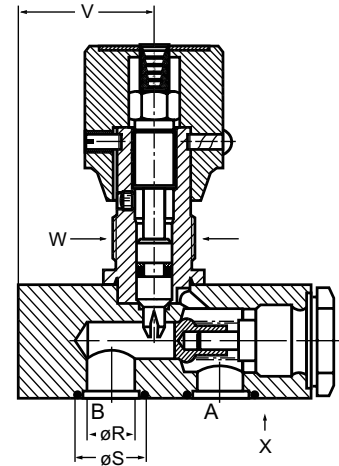
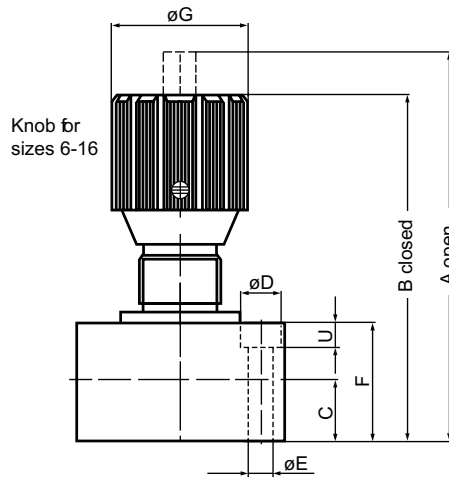
Model Code	PortSize NPTF	A	B	C	D	E	F	øG	øH	Hex	Weight
DRV-06	1/8"	55	50	8	16	26	45	24	13	12	0.13
DRV-08	1/4"	72	65	12	25	33.5	55	29	19	12	0.30
DRV-10	3/8"	74	67	15	30	41	65	29	19	12	0.45
DRV-12	1/2"	92	82	17	35	44	73	38	23	12	0.80
DRV-16	3/4"	106	96	22	45	57	88	38	23	12	1.30
DRV-20	1"	145	128	25	50	77	127	49	38	19	2.40
DRV-25	1-1/4"	150	133	30	60	93	143	49	38	19	3.50
DRV-30	1-1/2"	155	138	35	70	108	143	49	38	19	4.60

## Carbon Steel

## DRVP Series



**Up to 350 bar**  
**Up to 300 l/min**

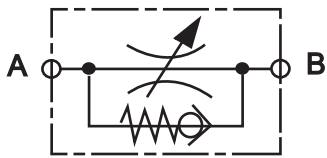


Model Code	Nominal Size	A	B	C	$\phi D$	$\phi E$	F	$\phi G$	H <sup>(1)</sup>	J	K	L
DRVP-06	1/8"	63	58	8	11	6.6	16	24	17	19	41.5	46
DRVP-08	1/4"	79	72	10	11	6.6	20	29	20	35	63.5	67
DRVP-10	3/8"	84	77	12.5	11	6.6	25	29	27	33.5	70	74
DRVP-12	1/2"	106	96	16	11	6.6	32	38	31	38	80	84.5
DRVP-16	3/4"	128	118	22.5	14	9	45	38	38	76	104	109.5
DRVP-20	1"	170	153	25	14	9	50	49	47.5	95	127	133
DRVP-25	1 1/4"	175	158	27.5	18	11.5	55	49	60	120.5	165	172
DRVP-30	1 1/2"	195	178	37.5	20	14	75	49	71.5	143	186	196

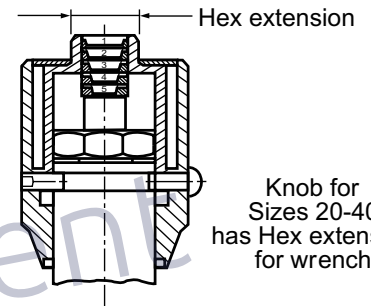
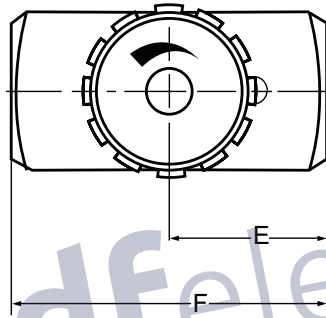
Model Code	Nominal Size	M	N	O	P	$\phi R$	$\phi S$	T	U	V	Hex	Weight
DRVP-06	1/8"	28.5	41.5	1.6	16	5	9.7	6.4	7	135.	12	0.26
DRVP-08	1/4"	33.5	46	4.8	25.5	7	12.7	14.2	7	3315	12	0.50
DRVP-10	3/8"	38	51	4	25.5	10	15.6	18	7	29.5	12	0.80
DRVP-12	1/2"	44.5	57.5	4	30	13	18.6	21	7	36.5	12	1.10
DRVP-16	3/4"	54	70	11	54	17	24.5	14	9	49	12	2.50
DRVP-20	1"	60	76.5	19	57	22	30.5	16	9	49	19	3.90
DRVP-25	1 1/4"	76	100	20.6	79.5	28.5	37.4	15	11	77	19	6.70
DRVP-30	1 1/2"	92	115	23.8	95	35	43.4	15	13	85	19	11.0

## Carbon Steel

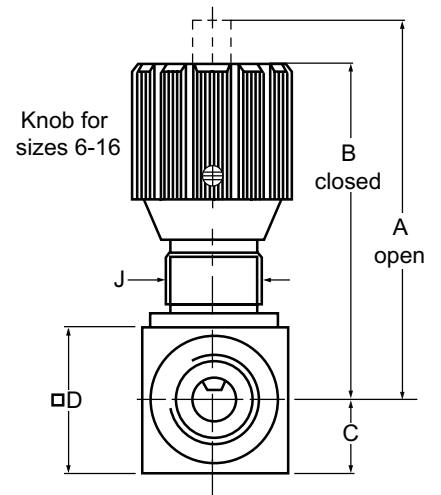
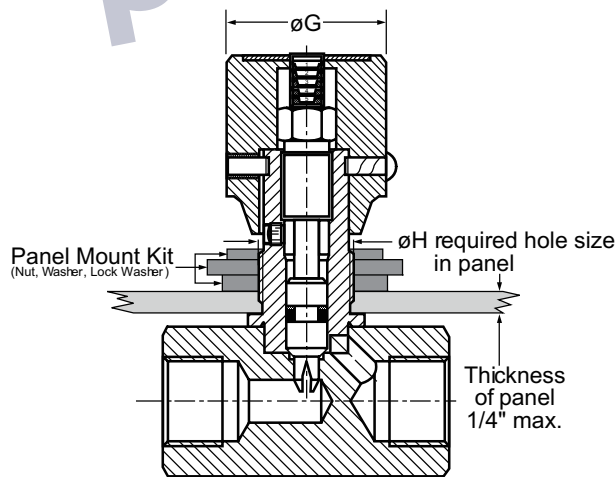
## Inline Needle Valve DV Series



Up to 350 bar  
Up to 300 l/min

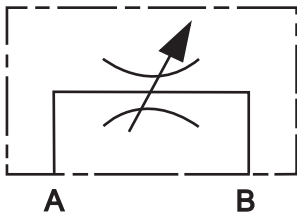


Knob for  
Sizes 20-40  
has Hex extension  
for wrench



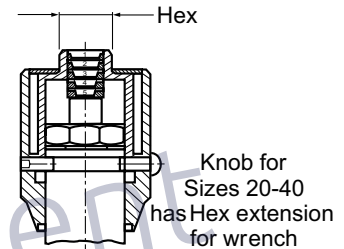
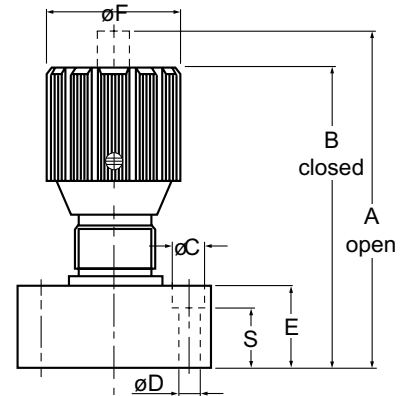
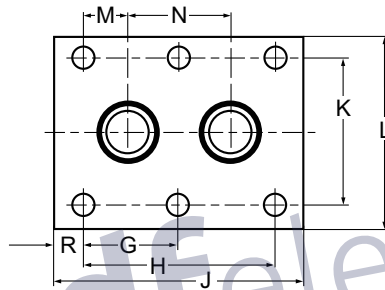
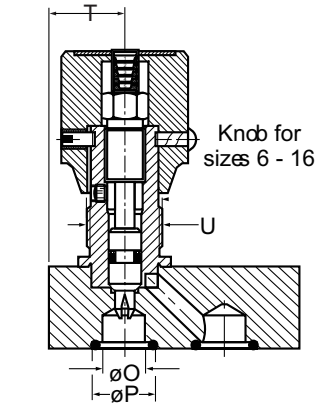
Model Code	Port Size	A	B	C	D	E	F	øG	øH	Hex	Weight
DV-06	1/8"	55	50	8	16	19	38	24	13	12	0.12
DV-08	1/4"	72	65	12	25	24	48	29	19	12	0.25
DV-10	3/8"	74	67	15	30	29	58	29	19	12	0.40
DV-12	1/2"	92	82	17	35	34	68	38	23	12	0.70
DV-16	3/4"	105	96	22	45	39	78	38	23	12	1.2
DV-20	1"	145	128	25	50	54	108	49	38	19	2.1
DV-25	1-1/4"	150	133	30	60	54	108	49	38	19	2.8
DV-30	1-1/2"	155	138	35	70	54	108	49	38	19	3.5

## Carbon Steel DVP



Up to 350 bar  
Up to 300 l/min

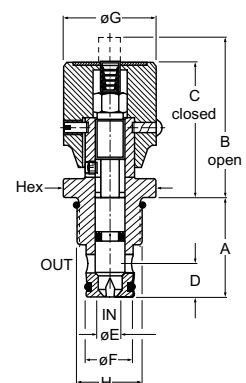
## Manifold Mounted Needle Valve DVP Series



Model Code	Nom. Size	A	B	øC	øD	E	øF	G	H	J	K	L	M	N	øO	øP	R	S	T	Hex	Wt.
DVP-06	1/8"	63	58	11	6.6	16	24	17	19	35	28.5	41.5	1.5	16	5	9.7	8	9	9.5	12	0.2
DVP-08	1/4"	79	72	11	6.6	20	29	20	35	47.5	33.5	46	4.5	25.5	7	12.7	6.5	13	12	12	0.4
DVP-10	3/8"	84	77	11	6.6	25	29	27	33.5	51	38	51	4.2	25.5	10	15.6	8.5	18	14	12	0.6
DVP-12	1/2"	99	89	11	6.6	25	38	37	38	75	44.5	57.5	4.0	30	13	18.6	18.5	18	22.5	12	1.0
DVP-16	3/4"	113	103	14	9.0	30	38	38	76	93.5	54	70	11	54	17	24.5	8.5	21	19.5	12	1.7
DVP-20	1"	165	148	14	9.0	45	49	47.5	95	111	60	76.5	19.1	57	22	30.5	8	36	31.5	19	3.6
DVP-25	1 1/4"	165	148	18	11.5	45	49	60	120.5	143	76	100	20.8	79.5	28.5	37.4	11	34	46	19	5.5
DVP-30	1 1/2"	170	153	20	14	50	49	71.5	143	171	92	115	23.8	95	35	43.4	15	37	39	19	7.5

## DVE Cartridge Valve

Size Code	A	B	C	D	E	øF	øG	H	Hex	Wt.
DVP-08	26	47	40	12	4.5	14.2	29	3/4-16UNF	27	0.15
DVP-10	30	64	54	12.5	8	15.8	38	7/8-14UNF	27	0.25
DVP-12	40	65	55	13.5	9.5	20.5	38	1-1/16-12UNF	32	0.50
DVP-16	43.5	65	55	17.5	11	26.9	38	1-5/16-12UNF	41	0.70



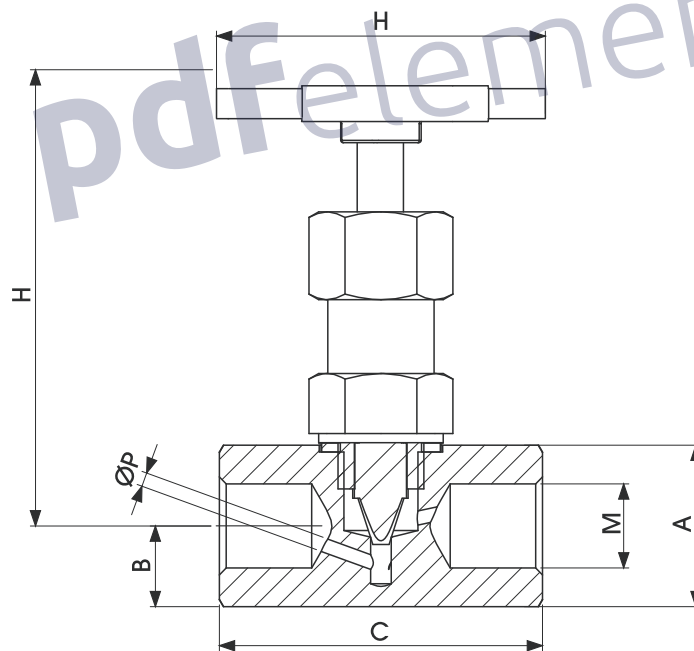
## 2 Way Carbon Steel

Standard



### Specifications

- Type: needle valve NV
- Body: square
- Material: 1,0570/1,4301
- Ball seats: from DN6 up to DN40
- Operating pressure: S3000 (210 Bar)  
S6000 (350 Bar) depending on valve size  
and seal materials selected
- Temp. range: -20°C to +100°C depending  
on seal material selected



**NV DIN ISO 228  
6000**  
Standard

TYPE	PN	DN	A	B	C	H	I	M	OP	Kg.
NV G 1/4	500 Bar	6	28	17,5	55	65	100	G 1/4	8	0.55
NV G 3/8	500 Bar	10	30	17,5	60	65	100	G 3/8	8	0.55
NV G 1/2	500 Bar	13	32	20	65	65	115	G 1/2	9	0.99
NV G 3/4	500 Bar	20	38	25	75	65	145	G 3/4	11	1.30
NV G 1"	500 Bar	25	45	30	85	75	150	G 1"	15	1.80
NV G 1" 1/4	500 Bar	32	50	35	90	75	160	G 1" 1/4	19	2.20
NV G 1" 1/2	500 Bar	40	55	40	90	75	170	G 1" 1/2	22	2.20



## 2 Way Carbon Steel

## Shut off Valve

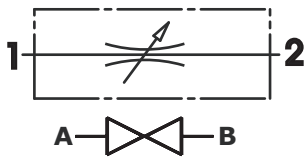
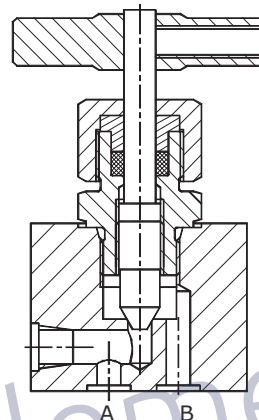


### Description

Shut off valves model MSSL06-2.0 are rising spindle, seat type valves with metal to metal seat for leak-free closure between its port 'A' and port 'B'.

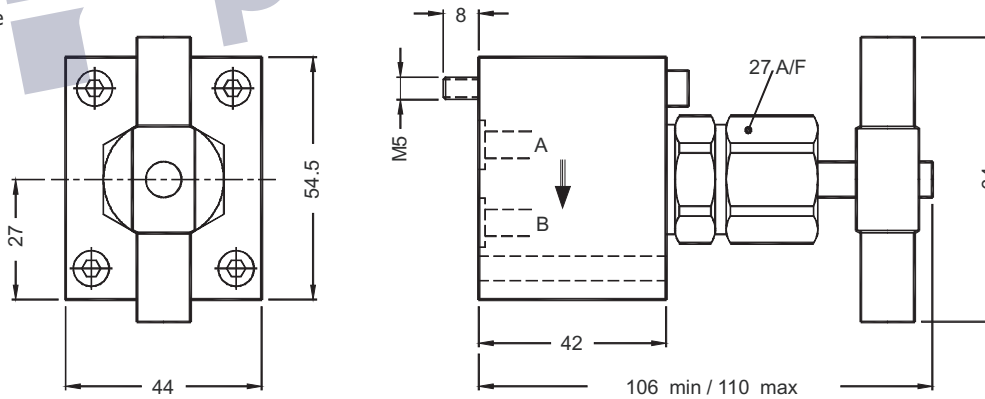
The mounting interface conforms to ISO 5781 - AB - 03 - 4 - B.

### Section



### Unit Dimensions

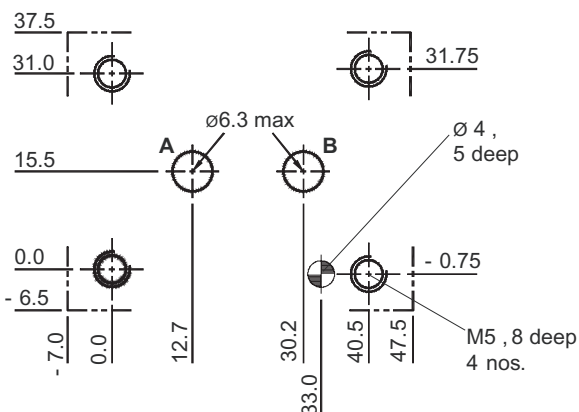
Valve



Note : Valve fixing screws : M5 X 50 L, (10.9) 4 nos.

Tightening torque : 9 Nm

### Interface - s a per ISO 5781 - AB - 03 - 4 - B standard



Mounting Surface roughness : 0.8  $\mu$ m

Mounting Surface flatness : 0.01  $\mu$ m/100 mm

# Inline High Pressure Check Valves - CV

Remove Watermark Now

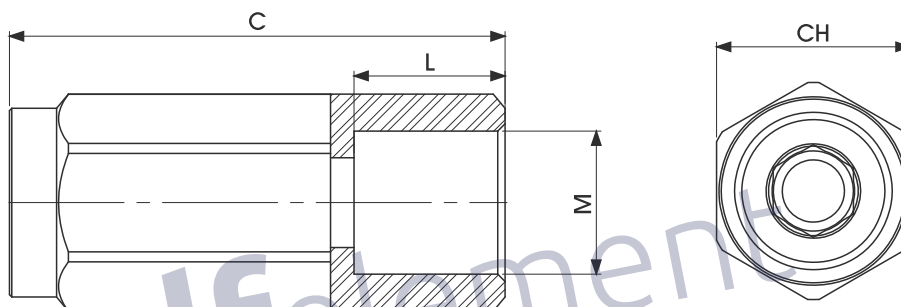
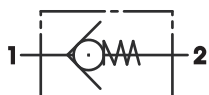
2 Way  
Carbon Steel

Standard

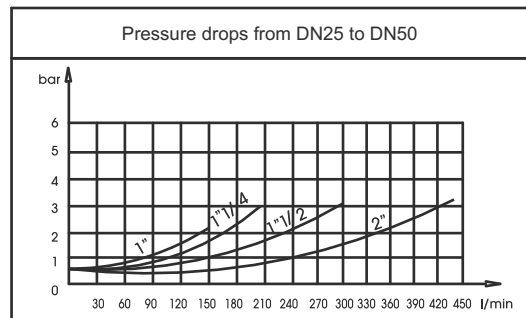
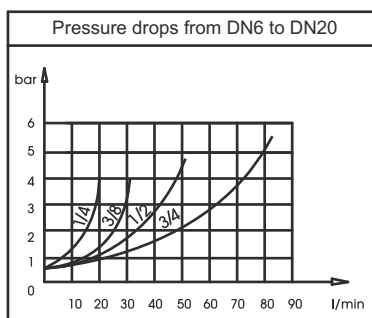
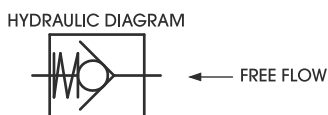


### Specifications

- Type: check valve CV
- Body: exagone
- Material: 1,0737/1,4749
- Ball seats: from 1/4 to 2"
- Operating pressure: PN500
- Temp. range: -10°C to +100°C depending on seal material selected



### PRESSURE DROPS



### CV DIN ISO 228 BSP Standard

TYPE	PN	DN	MAX FLOW L/m	CRACKING PRESSURE	C	L	M	CH	Kg.
CV G 1/4	400 Bar	6	15	0.5/1 BAR	54	15	G 1/4	19	0,1
CV G 3/8	400 Bar	10	30	0.5/1 BAR	64	15	G 3/8	24	0,18
CV G 1/2	400 Bar	13	50	0.5/1 BAR	74	17	G 1/2	27	0,23
CV G 3/4	400 Bar	20	90	0.5/1 BAR	85	21	G 3/4	35	0,45
CV G 1"	400 Bar	25	150	0.5/1 BAR	109	24	G 1"	41	0,73
CV G 1" 1/4	350 Bar	32	200	0.5/1 BAR	122	24	G 1" 1/4	55	1,49
CV G 1" 1/2	350 Bar	40	300	0.5/1 BAR	137	24	G 1" 1/2	60	2
CV G 2"	350 Bar	50	430	0.5/1 BAR	159	27	G 2"	70	2,7

## 2 Way Carbon Steel

## Standard

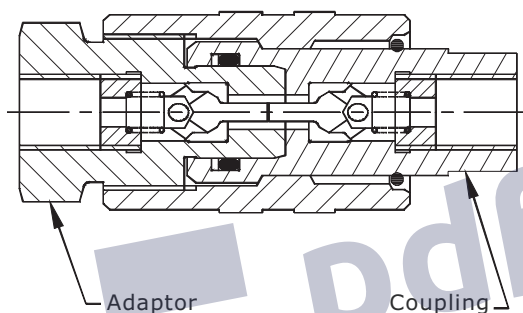


### Description

Quick disconnect couplings are designed for applications where fast connection and disconnection of hydraulic lines is a need of the system. These couplings when connected offer unrestricted flow passage. They are designed for reliable and safe operations by avoiding premature flow before the coupling is fully closed.

### Section

(Self sealing Coupling, Self sealing Adaptor, Illustrated)



### Hydraulic Symbol Coupling Type

	Through type Adaptor AT
	Through type Coupling CT
	Self sealing Adaptor AS
	Through type Coupling CT
	Through type Adaptor AT
	Self sealing Coupling CS
	Self sealing Adaptor AS
	Self sealing Coupling CS

### Unit Dimensions

End connections (Female)

BSP - **G**  
Metric - **M**

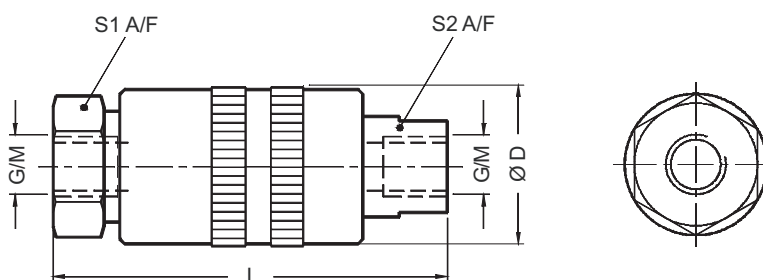
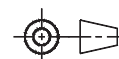


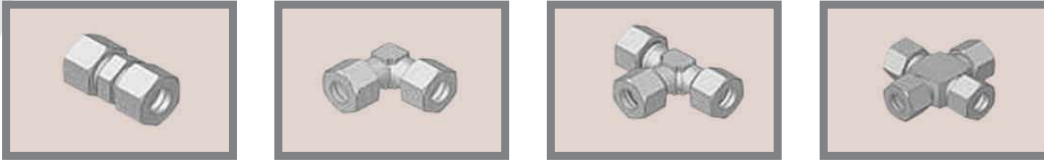
Table 1

Pressure (bar)	G	M	S1	S2	ØD	L
800	G 1/4	M14x1.5	27	19	35	86
800	G 3/8	M18x1.5	32	22	37	88
600	G 1/2	M22x1.5	41	30	46	116
500	G 3/4	M26x1.5	50	36	56	130
400	G1	M33x2.0	55	41	62	150

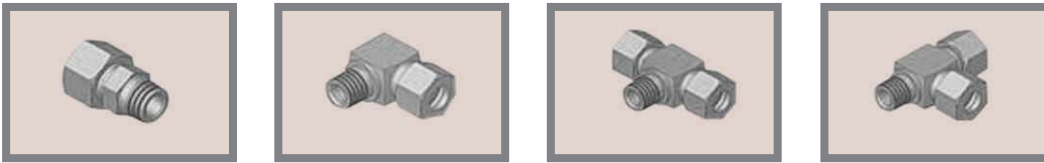
## Tube Coupling Parts



## Tube to Tube Coupling



## Tube to Male Stud BSPT



## Tube to Male Stud BSP



## Tube to Male Stud Metric



## Bulkhead



## Weld Coupling



## Tube to Male Stud Elastomeric BSP



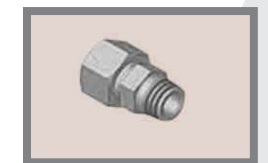
## Tube to Male Stud Elastomeric Metric



## Tube to Male Stud Oring Metric



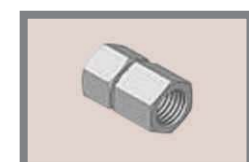
## Tube to Male Stud NPTF



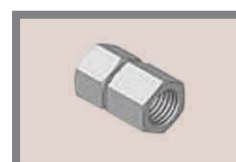
## Tube to Male Stud Oring SAE/UNF



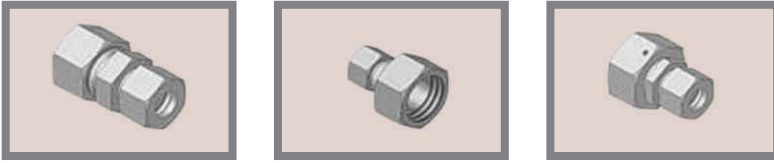
## Female Connector BSP



## Female Connector Metric



## Reducer / Expander



## Banjo Coupling



## Banjo Coupling



## Swivel Connector



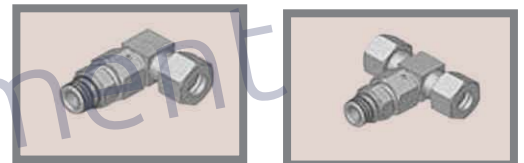
## Swivel Coupling Soft Seal



## Swivel Coupling Soft Seal



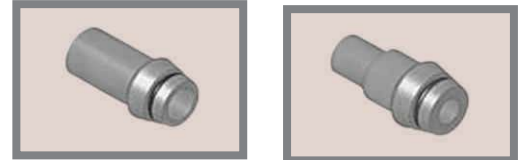
## Swivel Connector Soft Seal



## Adjustable Fittings SAE/UNF



## Weld Nipple



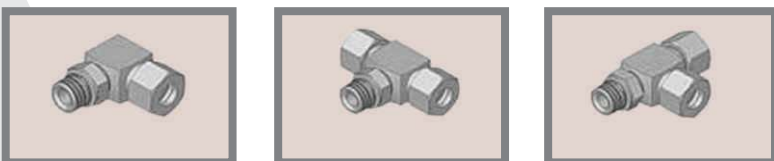
## Gauge Adaptors



## Blanking End



## Adjustable Fittings Metric



## Swivel Connector Soft Seal



## Live Swivel



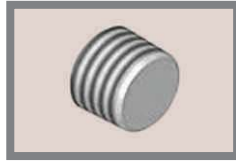
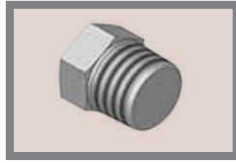
## Swivel Coupling



## Gauge Adaptors



## Plug BSPT



## Plug SAE/UNF



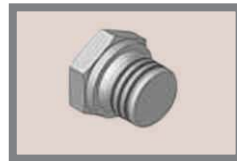
## Plug BSP



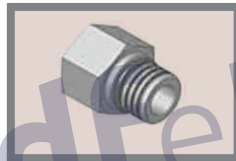
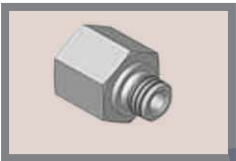
## Plug NPTF



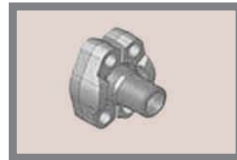
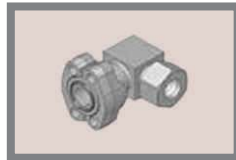
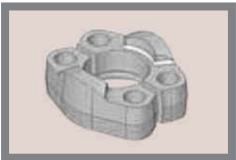
## Plug Metric



## Adaptors



## SAE Flanged Connections



## Check Valves



## Tools



## Seals



## Manufacturing Capabilities

Our manufacturing system has constantly adapted to the changing market demands. We have best-in-class machines to back our production unit. Our dedicated team of professionals are well versed with various aspects of production. Our skilled personnel work with professionalism to ensure customer satisfaction.

## Customer Focus

Asian Hydraulic has always focused on the customer by offering the best quality and cost effective products in the field of high pressure hydraulic range. Feedback from customers has enabled us to remain innovative in the field of high pressure hydraulic range.

## Quality Policy

Asian Hydraulic is committed to manufacturing and supplying high pressure hydraulic range in compliance with International Standards. All our products undergo rigorous inspection processes before they are released for distribution. Our team of experts maintain a vigil on the entire range of products. We review and continually improve the effectiveness of our quality management system by involving all personnel as well as our suppliers. This Quality Policy is periodically reviewed to ensure best quality to our customers.

## INFRASTRUCTURE

Asian Hydraulic - located in Andheri has expanded manufacturing unit in Taloja. We have latest CNC machine and manufacturing facilities are at par with global manufacturing standards and are well equipped with state-of-the-art equipment, machinery and testing facilities.





VALUE FOR QUALITY

## ASIAN HYDRAULIC

Contact :-Akram Shaikh

Mob. No :-9821583312

Tel.No. :-+91 22 28562545

Email :- [asian\\_hydraulics@rediffmail.com](mailto:asian_hydraulics@rediffmail.com)

[sales@asianhydraulic.com](mailto:sales@asianhydraulic.com)

Web :-[www.asianhydraulic.com](http://www.asianhydraulic.com)